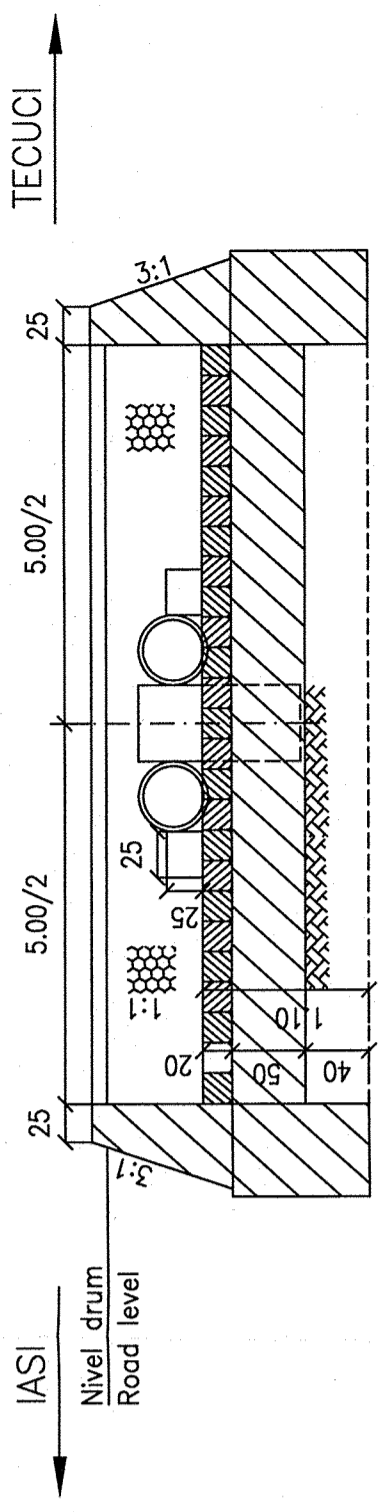
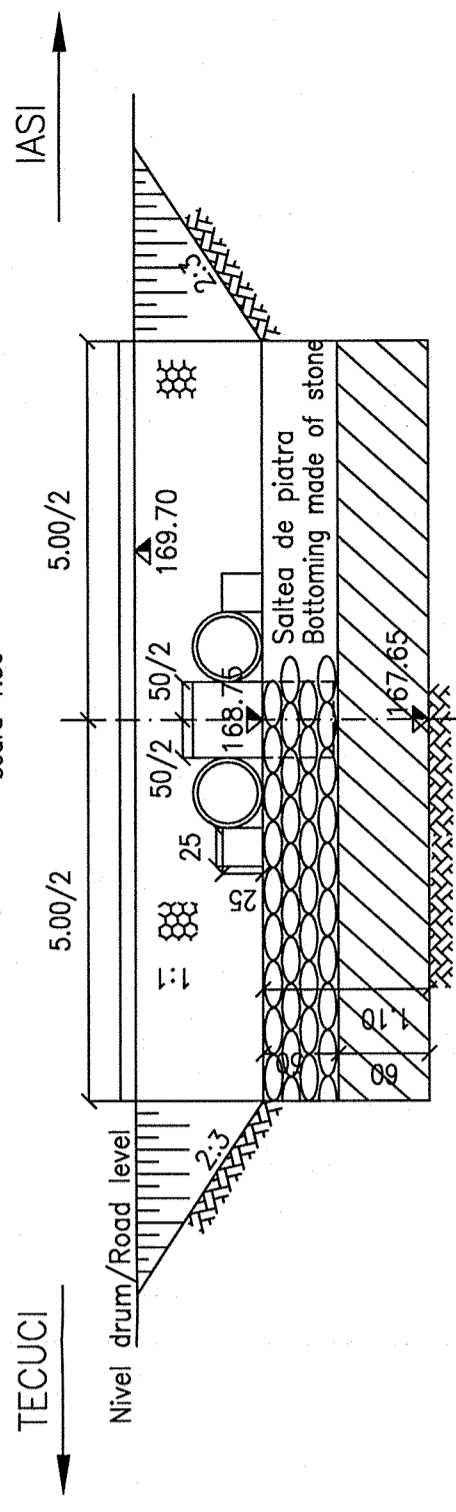


SECTIUNE TRANSVERSALA/B-B CROSS SECTION
scara 1:50



SECTIUNE TRANSVERSALA/C-C CROSS SECTION
scara 1:50



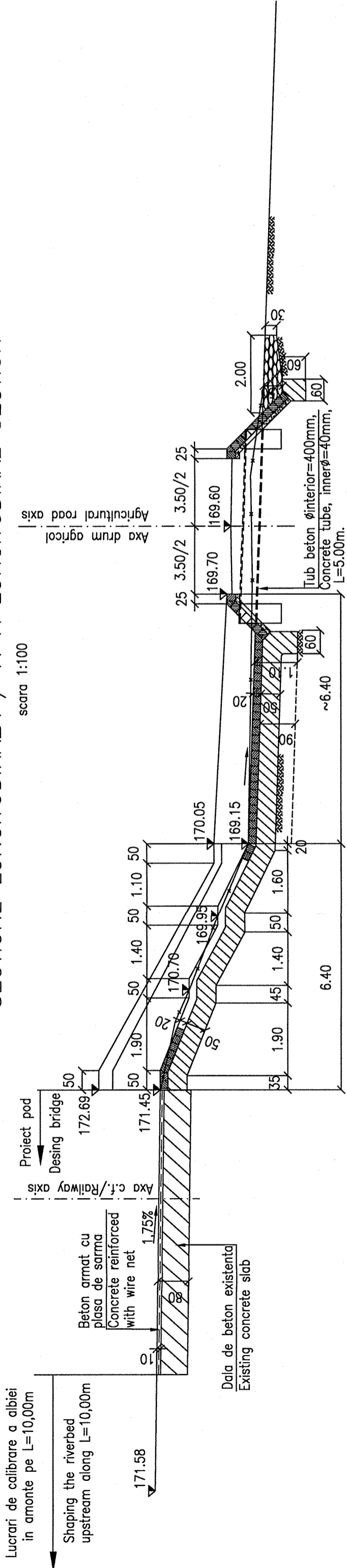
NOTE:

Prezentul plan s-a intocmit in conformitate cu:
 - dispozitia generala P02/2010
 - plan de situatie nr. E84/93/2007 si P01/2010
 - profile transversale nr. E84/95/2007.

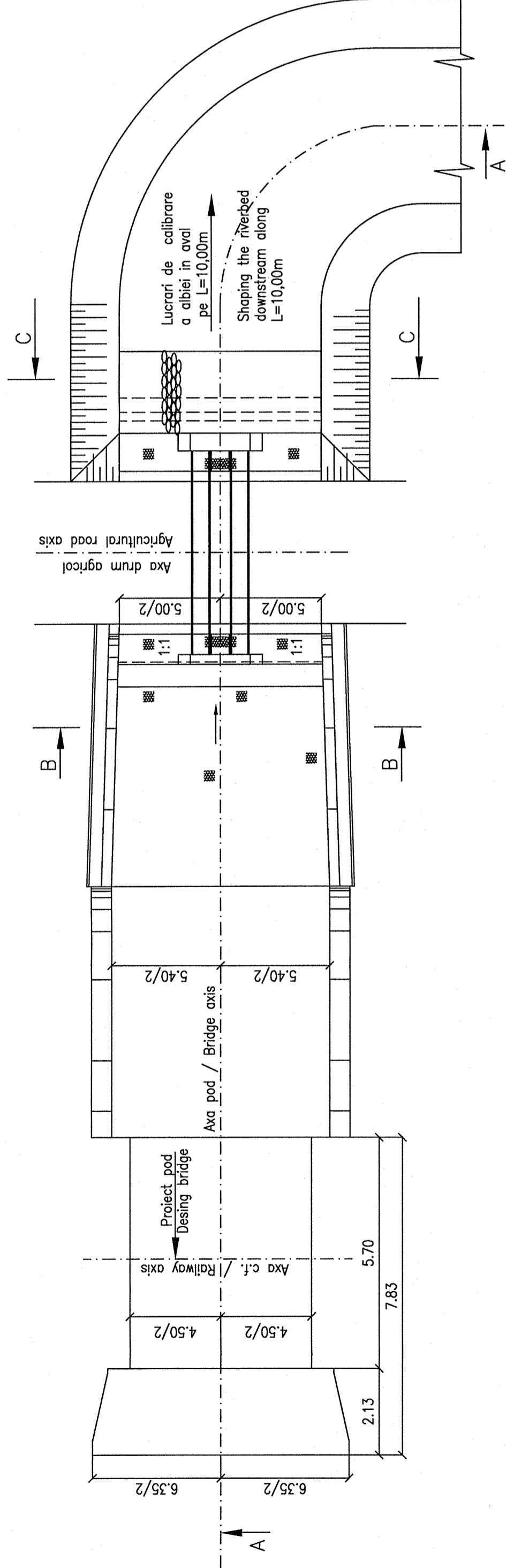
This Plan was drawn up based on the following data:
 - general layout P02/2010;
 - general plan no. E84/93/2007 and P01/2010;
 - cross profiles no. E84/95/2007.



SECTIUNE LONGITUDINALA / A-A LONGITUDINAL SECTION
scara 1:100



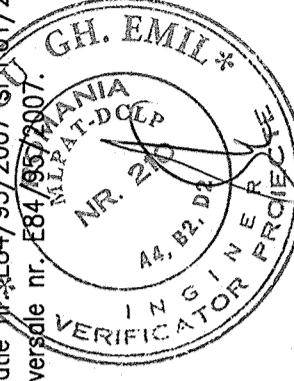
VEDERE IN PLAN/PLAN VIEW
scara 1:100



NOTE:

Prezentul plan s-a intocmit in conformitate cu:
 - dispozitia generala P02/2010
 - plan de situatie nr. E84/93/2007 si P01/2010
 - profile transversale nr. E84/95/2007.

This Plan was drawn up based on the following data:
 - general layout P02/2010;
 - general plan no. E84/93/2007 and P01/2010;
 - cross profiles no. E84/95/2007.



B					
A	Data	Modificare			
BENEFICIAR/BENEFICIARY:		AUTORITATEA DE IMPLEMENTARE/IMPLEMENTUNG AUTHORITY		AUTORITATEA CONTRACTANTA/ CONTRACTING AUTHORITY	
ROMANIAN RAILWAY NATIONAL COMPANY		Ministerul Transporturilor Ministry of Transport		CFRU Ministerul Economiei si Finantelor Ministry of Economy and Finance	
prontec		CONTRAT PROIECT		UNIUNEA EUROPEANA EUROPEAN UNION	
Intocmit Designed	Th. C. Vasiliu	Scara / Scale:	1:100	PORTOFOLIUL DE PROIECTE PHARE CES 2005 / PHARE CES 2005 PROJECTS PORTFOLIO LOT 1	
Verificat Checked	Ing. M. Saracin	Data / Date:	05.2009	Asistenta tehnica pentru pregatirea unor lucrari de reabilitare pentru tuneluri si poduri de cale ferata Technical assistance for preparing rehabilitation works required by railway tunnels and bridges	
Sef echipa Team leader	Ing. Ioan Dachtin			Denumire desen / Drawing Title: Podul / Culvert km 381+660 Amplasare Abbie/Riverbed shaping	
				Cod desen / Nr. / No. Drawing Code PT215	
				11/11	